

# MK-QSZ



- MK-QSZ load cells are available in the capacities 30t
- Alloy steel construction, nickel plated, hermetically welded, oil proof, water proof, anti-corrosive gas and medium making it suitable for all kind of environment
- Dual shear beam, suitable for electronic weighing device

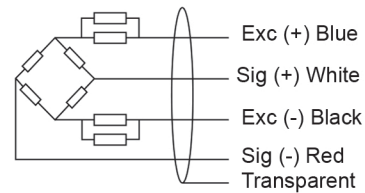
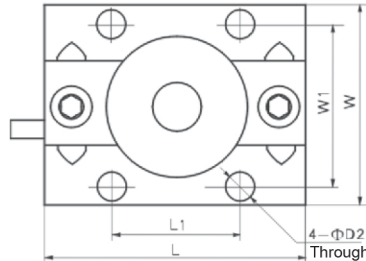
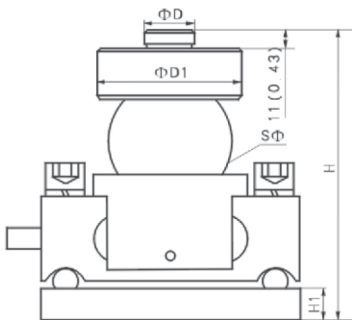
**FEATURE:**

- Capacity : 30t
- High accuracy
- Alloy steel construction
- Easy installation, reliable performance

**ACCESSORIES:**

- Button, steel ball, ball cup, base plate

Dimension / Capacity	L	L1	W	W1	W2	H	H1	D	D1	D2	SR
30t	160 (6.29)	80 (3.14)	125 (4.92)	100 (3.93)	56 (2.2)	179 (7.04)	19 (0.74)	30 (1.18)	88 (3.46)	18 (0.70)	76.2 (3)



## SPECIFICATION

Rated capacities (E <sub>max</sub> )	30t	Output resistance	704Ω
Accuracy class	C3	Insulation resistance	≥ 5000 (50VDC)MΩ
Max. number of verification intervals	3000 n max	Zero output	0.76%F.S
Min. number of verification intervals	E <sub>max</sub> /10000 v min	Temperature, compensated	-10°C ~ +40°C
Combined error	≤ ±0.020%FS	Temperature, allowed	-35°C ~ +65°C
Creep	≤ ±0.016%FS/30min	Excitation, Recommended	5V ~ 12V (DC)
Temperature effect on sensitivity	≤ ±0.011%FS/10°C	Excitation, maximum	18V (DC)
Temperature effect on zero	≤ ±0.015%FS/10°C	Maximum Safe overload	150%FS
Output sensitivity	1.80mV/V	Ultimate overload	300%FS
Input resistance	700Ω	Cable	Length: 16m Diameter: Ø6mm